

SOCKS PACKAGING

MACHINE TO APPLY TRANSFER ON SOCKS

AUTOPRINTING



SOCKS PACKAGING AUTOPRINTING

Machine to apply transfers on socks and cloths in different fibres and colours.

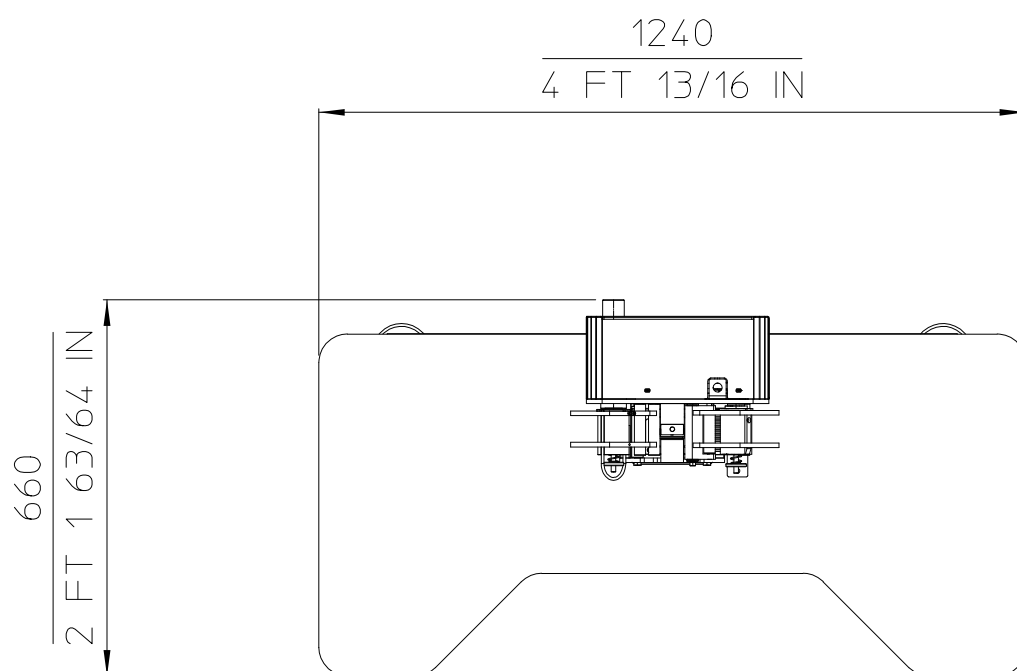
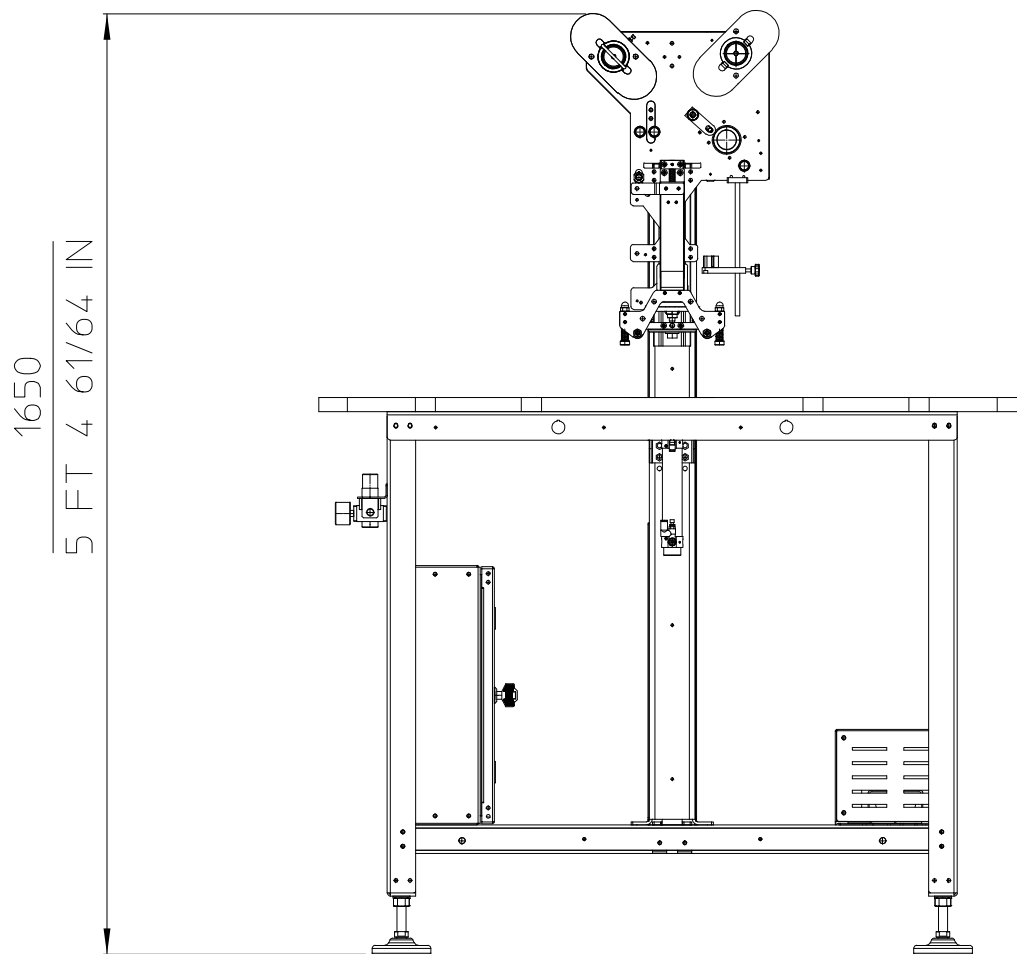
- Electronic management of the functions;
- Possibility of personalized transfers;
- Very high productions with only one operator;

SOCKS PACKAGING

AUTOPRINTING

Specifications	Values
Dimensions	660 x 1.240 x 1.650 (h)
Air pressure	6 bar
Production max	1400-1800 p/h
Paper roll Ø 200 max hole	60 mm
Voltage	240 Volt

SOCKS PACKAGING AUTOPRINTING



TECNOPEA



TECNOPEA S.R.L.

Via Don Eridano Torri, 2

25027 Quinzano d'Oglio, Brescia - Italy

Tel.: +39 030 992 3780 - Fax: +39 030 9923996

info@tecnopea.com - www.tecnopea.com