

# SOCKS PACKAGING

AUTOMATIC MODULE FOR SOCKS PACKAGING

## TECNOPACK



## SOCKS BOARDING TECNOPACK

Automatic basic module for socks packaging with cardboard rider.  
System, manually fed, can be equipped with the following working stations:

- Manual loading of single or multipair socks flat or folded
- Rider sewing by means of a Tecnopea EasyRider complete with cardboards magazine and electronic printer (optional)
- Alternative option to the sewing by means of a swift tack device
- Unloading on conveyer with stacking option;

# SOCKS BOARDING

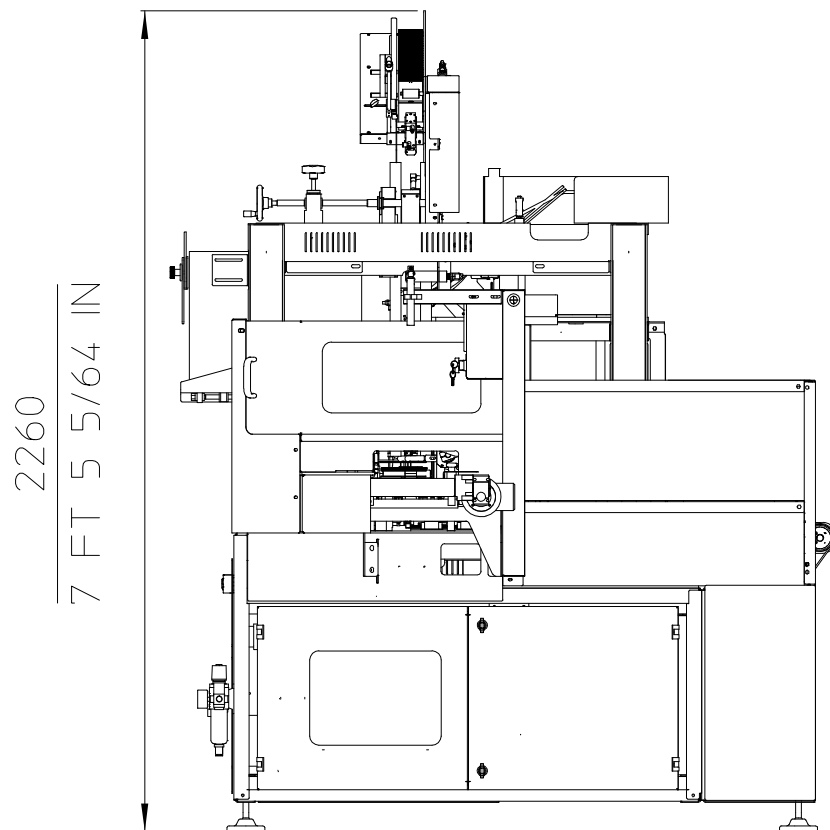
## TECNOPACK

Specifications	Values
Dimensions	2.043 x 1.830 x 2.260 (h)
Air pressure	6 bar
Air consumption	13,7 m <sup>3</sup>
Installed power	2,1 Kw
Min. Cycle time	3 Sec./pack
Max sewing thickness	25 mm
Max fastner thickness	70 mm

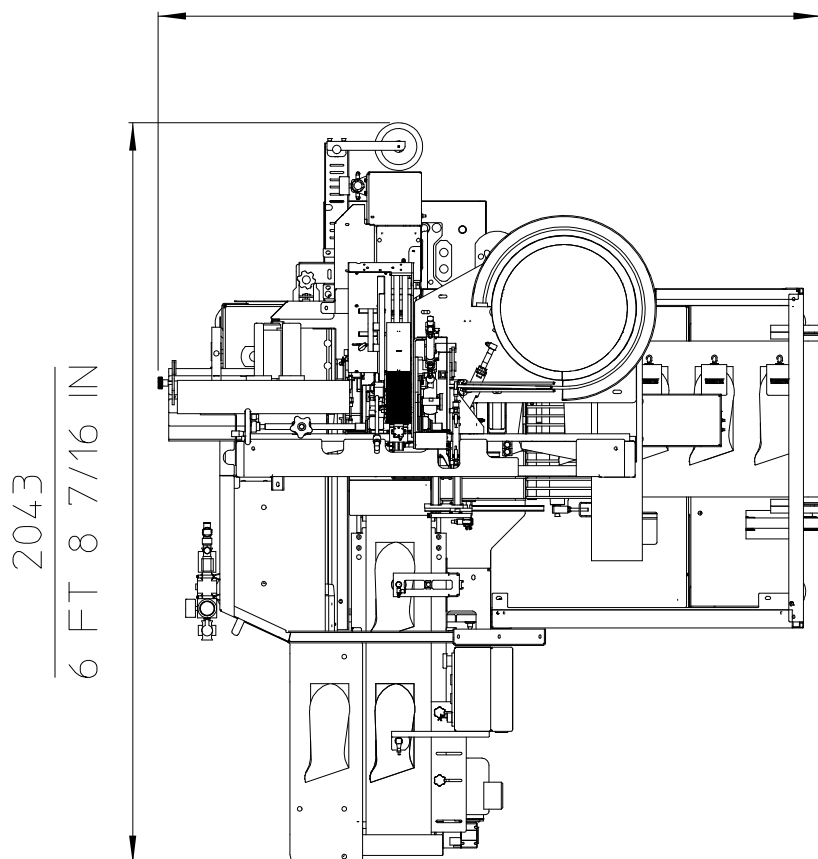
Features
High productivity
Multiple operations performed by a single operator
Performances and quality consistency

Basic system can be integrated with the following additional modules
Electronic printer for cardboards
Barcode scanner to check the printing quality
Tuck-in hook insertion with automatic feeder
Label dispenser
Single/multi pair banding unit
Single/multi pair bagging unit

# SOCKS BOARDING TECNOPACK



1830  
6 FT 1/32 IN



# TECNOPEA



TECNOPEA S.R.L.

Via Don Eridano Torri, 2

25027 Quinzano d'Oglio, Brescia - Italy

Tel.: +39 030 992 3780 - Fax: +39 030 9923996

info@tecnopea.com - www.tecnopea.com